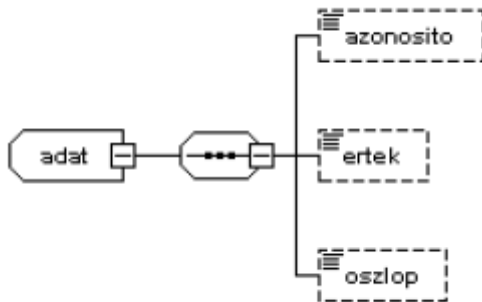


Data XML Schema

adat (data item) – complex type

A questionnaire data item.



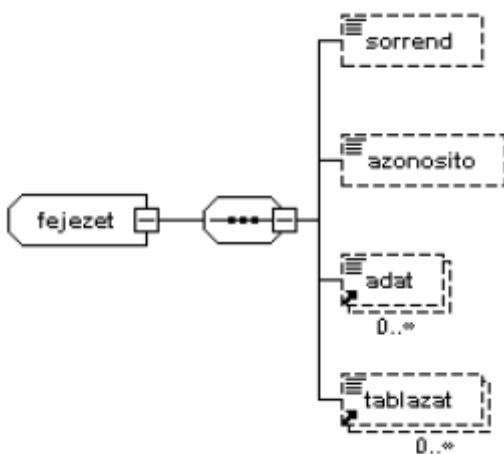
Attribute name	Attribute type	Attribute description
azonosito	xs:string	Identifier of template field for this data item.
ertek	xs:string	Data item value.
oszlop	xs:string	Database column for this data item.

```

<xs:complexType name="adat">
  <xs:sequence>
    <xs:element minOccurs="0" name="azonosito" type="xs:string"/>
    <xs:element minOccurs="0" name="ertek" type="xs:string"/>
    <xs:element minOccurs="0" name="oszlop" type="xs:string"/>
  </xs:sequence>
  <xs:attribute name="f" type="tns:forrasEnum"/>
</xs:complexType>
  
```

fejezet (chapter) – complex type

Class representing a chapter in a questionnaire.



Attribute name	Attribute type	Attribute description
----------------	----------------	-----------------------

sorrend	xs:long	Sequence number of chapter.
azonosito	xs:string	See in parent.

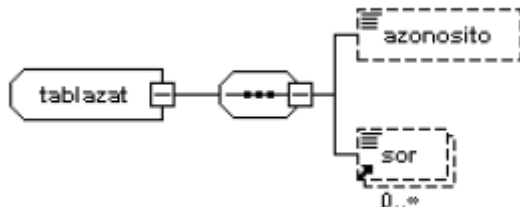
```

<xs:complexType name="fejezet">
  <xs:sequence>
    <xs:element minOccurs="0" name="sorrend" type="xs:long"/>
    <xs:element minOccurs="0" name="azonosito" type="xs:string"/>
    <xs:element maxOccurs="unbounded" minOccurs="0" ref="tns:adat"/>
    <xs:element maxOccurs="unbounded" minOccurs="0"
ref="tns:tablazat"/>
  </xs:sequence>
  <xs:attribute name="f" type="tns:forrasEnum"/>
</xs:complexType>

```

tablazat (table) – complex type

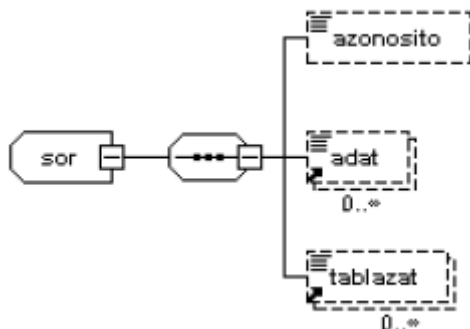
Class containing the data in a table of a questionnaire.



Attribute name	Attribute type	Attribute description
azonosito	xs:string	Identifier of table.

sor (row) – complex type

One row of a table.



```

<xs:complexType name="sor">
  <xs:sequence>
    <xs:element minOccurs="0" name="azonosito" type="xs:string"/>
    <xs:element maxOccurs="unbounded" minOccurs="0" ref="tns:adat"/>
    <xs:element maxOccurs="unbounded" minOccurs="0"
ref="tns:tablazat"/>
  </xs:sequence>

```

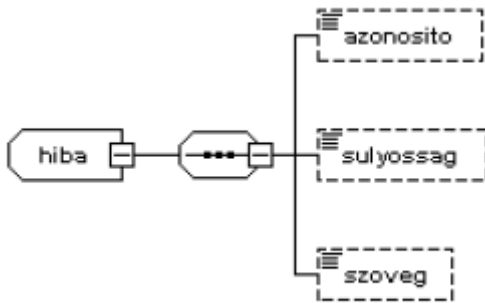
```

<xs:attribute name="f" type="tns:forrasEnum"/>
<xs:attribute name="panel" type="xs:string"/>
</xs:complexType>

```

hiba (error) – complex type

Error element for a questionnaire.



Attribute name	Attribute type	Attribute description
azonosito	xs:string	Identifier (EAZON).
sulyossag	xs:string	Severity of error.
szoveg	xs:string	Error message.

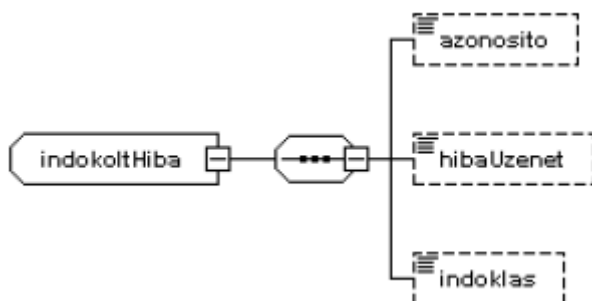
```

<xs:complexType name="hiba">
  <xs:sequence>
    <xs:element minOccurs="0" name="azonosito" type="xs:string"/>
    <xs:element minOccurs="0" name="sulyossag" type="xs:string"/>
    <xs:element minOccurs="0" name="szoveg" type="xs:string"/>
  </xs:sequence>
</xs:complexType>

```

indokoltHiba (error) – complex type

Error element for a questionnaire, with a user comment.



Attribute name	Attribute type	Attribute description
azonosito	xs:string	Identifier (EAZON).
hibaUzenet	xs:string	Error message.
indoklas	xs:string	User comment.

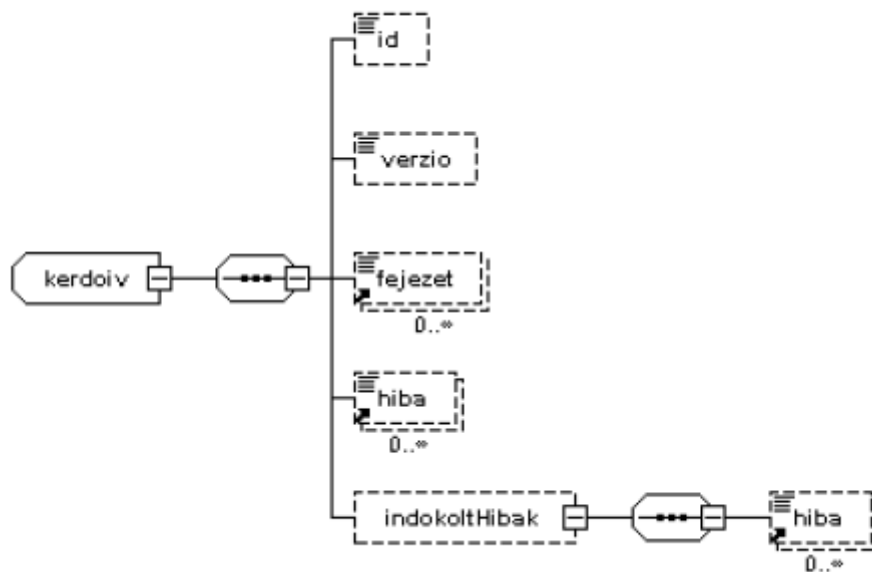
```

<xs:complexType name="indokoltHiba">
  <xs:sequence>
    <xs:element name="azonosito" type="xs:string" minOccurs="0"/>
    <xs:element name="hibaUzenet" type="xs:string" minOccurs="0"/>
    <xs:element name="indoklas" type="xs:string" minOccurs="0"/>
  </xs:sequence>
</xs:complexType>

```

kerdoiv (questionnaire) – complex type

A questionnaire, the main element of the data XML.



Attribute name	Attribute type	Attribute description
id	xs:long	Identifier of questionnaire.
verzio	xs:long	Version number of questionnaire.

```

<xs:complexType name="kerdoiv">
  <xs:sequence>
    <xs:element name="id" type="xs:long" minOccurs="0"/>
    <xs:element name="verzio" type="xs:long" minOccurs="0"/>
    <xs:element ref="tns:fejezet" minOccurs="0"
maxOccurs="unbounded"/>
    <xs:element ref="tns:hiba" minOccurs="0" maxOccurs="unbounded"/>
    <xs:element name="indokoltHibak" minOccurs="0">
      <xs:complexType>
        <xs:sequence>
          <xs:element ref="tns:hiba" minOccurs="0"
maxOccurs="unbounded"/>
        </xs:sequence>
      </xs:complexType>
    </xs:element>
  </xs:sequence>
</xs:complexType>

```

forrasEnum – simple type

```
<xs:simpleType name="forrasEnum">  
  <xs:restriction base="xs:string">  
    <xs:enumeration value="M"/>  
  </xs:restriction>  
</xs:simpleType>
```