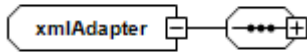


# Data XML Schema

## xmlAdapter - complex type

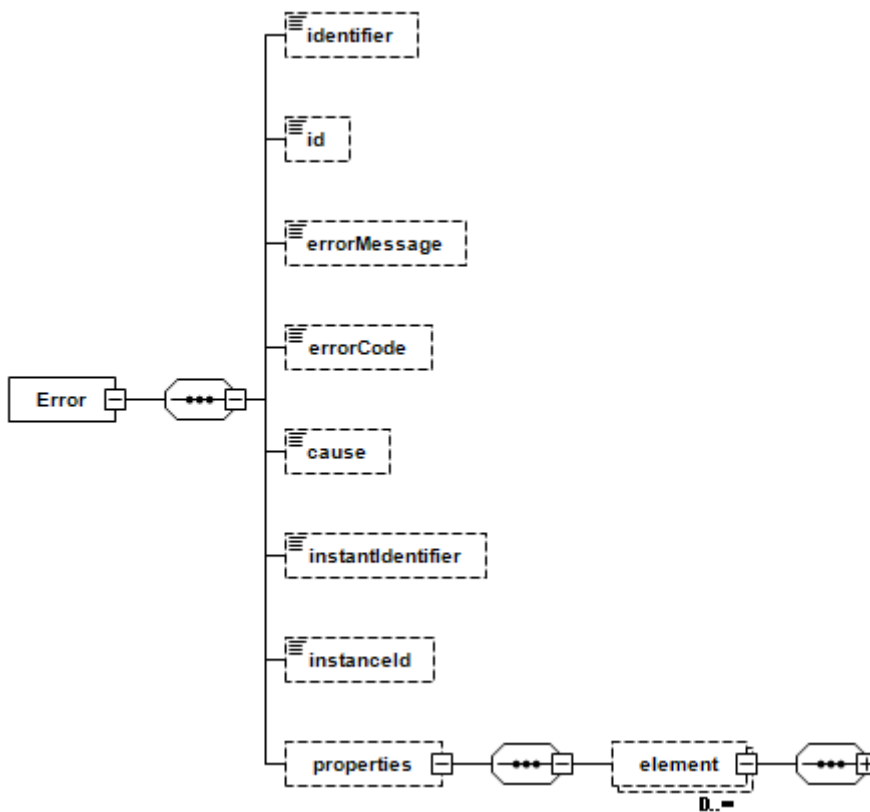
A technical-purpose complex type definition used to represent key/value pairs (e.g. keys, properties.)



```
<xs:complexType abstract="true" name="xmlAdapter">
  <xs:sequence/>
</xs:complexType>
```

## Error - complex type

A justified error related to form validations.



Attribute name	Attribute type	Attribute description
identifier	<u>xs:string</u>	Identifier
id	<u>xs:string</u>	Unique identifier

errorMessage	<u>xs:string</u>	Error message
errorCode	<u>xs:string</u>	Error code
cause	<u>xs:string</u>	Cause of error
instantIdentifier	<u>xs:string</u>	Instance identifier (not used in Elektra2, elimination in progress)
instanceId	<u>xs:string</u>	Instance identifier
properties	form:formAdaptedMap	Properties

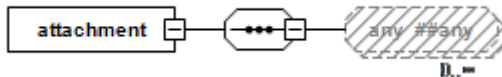
```

<xs:complexType name="justifiableError">
  <xs:annotation>
    <xs:documentation>
      <![CDATA[Justified error related to form validations.]]>
    </xs:documentation>
  </xs:annotation>
  <xs:sequence>
    <xs:element minOccurs="0" name="identifier" type="xs:string"/>
    <xs:element minOccurs="0" name="id" type="xs:string"/>
    <xs:element minOccurs="0" name="errorMessage" type="xs:string"/>
    <xs:element minOccurs="0" name="errorCode" type="xs:string"/>
    <xs:element minOccurs="0" name="cause" type="xs:string"/>
    <xs:element minOccurs="0" name="instantIdentifier" type="xs:string"/>
    <xs:element minOccurs="0" name="instanceId" type="xs:string"/>
    <xs:element minOccurs="0" name="properties"
type="form:formAdaptedMap"/>
  </xs:sequence>
</xs:complexType>

```

## attachment - complex type

Attachment descriptors



Attribute name	Attribute type	Attribute description
----------------	----------------	-----------------------

id	<u>xs:string</u>	Identifier
fileName	<u>xs:string</u>	File name
fileSize	<u>xs:string</u>	File size

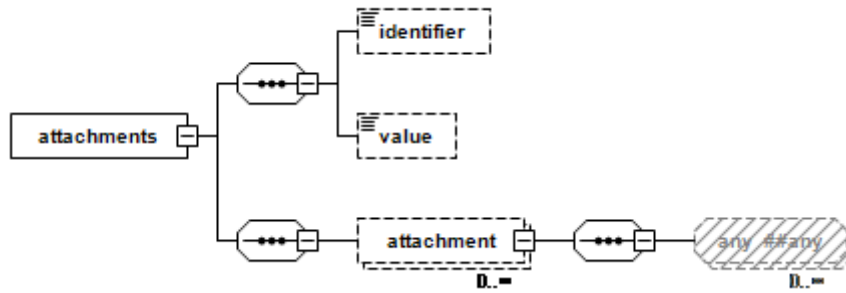
```

<xs:complexType name="attachment">
  <xs:annotation>
    <xs:documentation>
      <![CDATA[Attachment descriptors]]>
    </xs:documentation>
  </xs:annotation>
  <xs:sequence/>
  <xs:attribute name="id" type="xs:string"/>
  <xs:attribute name="fileName" type="xs:string"/>
  <xs:attribute name="fileSize" type="xs:string"/>
</xs:complexType>

```

## attachments - complex type

List of attachments



Attribute name	Attribute type	Attribute description
identifier	<u>xs:string</u>	Identifier
value	<u>xs:string</u>	Value
attachment	form:attachment	Attachment

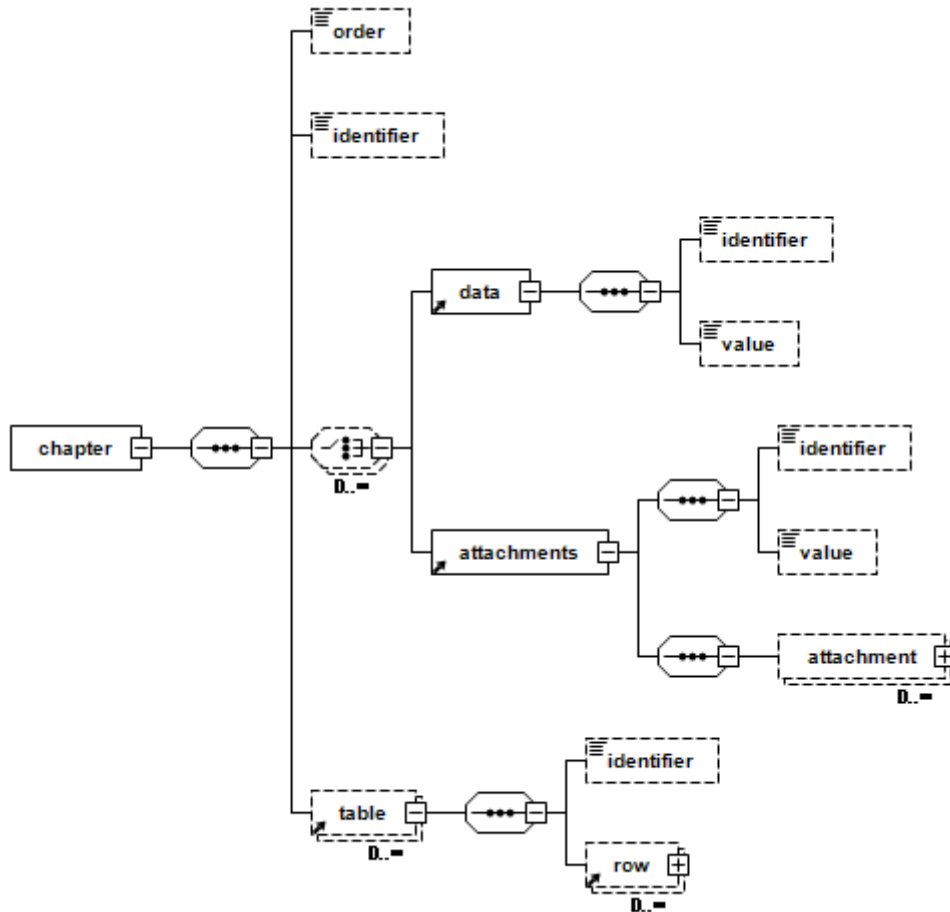
```

<xs:complexType name="attachments">
  <xs:annotation>
    <xs:documentation>
      <![CDATA[List of attachments]]>
    </xs:documentation>
  </xs:annotation>
  <xs:complexContent>
    <xs:extension base="form:data">
      <xs:sequence>
        <xs:element maxOccurs="unbounded" minOccurs="0"
name="attachment" nillable="true" type="form:attachment"/>
      </xs:sequence>
    </xs:extension>
  </xs:complexContent>
</xs:complexType>

```

## chapter - complex type

Class representing a chapter of the form.



### Attribute name Attribute type Attribute description

Attribute name	Attribute type	Attribute description
order	<u>xs:long</u>	Order
identifier	<u>xs:string</u>	Identifier

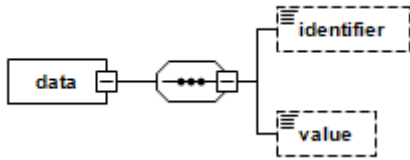
```

<xs:complexType name="chapter">
  <xs:annotation>
    <xs:documentation>
      <![CDATA[Class representing a chapter of the form.]]>
    </xs:documentation>
  </xs:annotation>
  <xs:sequence>
    <xs:element minOccurs="0" name="order" type="xs:long"/>
    <xs:element minOccurs="0" name="identifier" type="xs:string"/>
    <xs:choice maxOccurs="unbounded" minOccurs="0">
      <xs:element ref="form:data"/>
      <xs:element ref="form:attachments"/>
    </xs:choice>
    <xs:element maxOccurs="unbounded" minOccurs="0" ref="form:table"/>
  </xs:sequence>
  <xs:attribute name="s" type="form:sourceEnum"/>
</xs:complexType>

```

# Data - complex type

Form data item



**Attribute name Attribute type Attribute description**

Attribute name	Attribute type	Attribute description
identifier	xs:string	Identifier
value	xs:string	Value

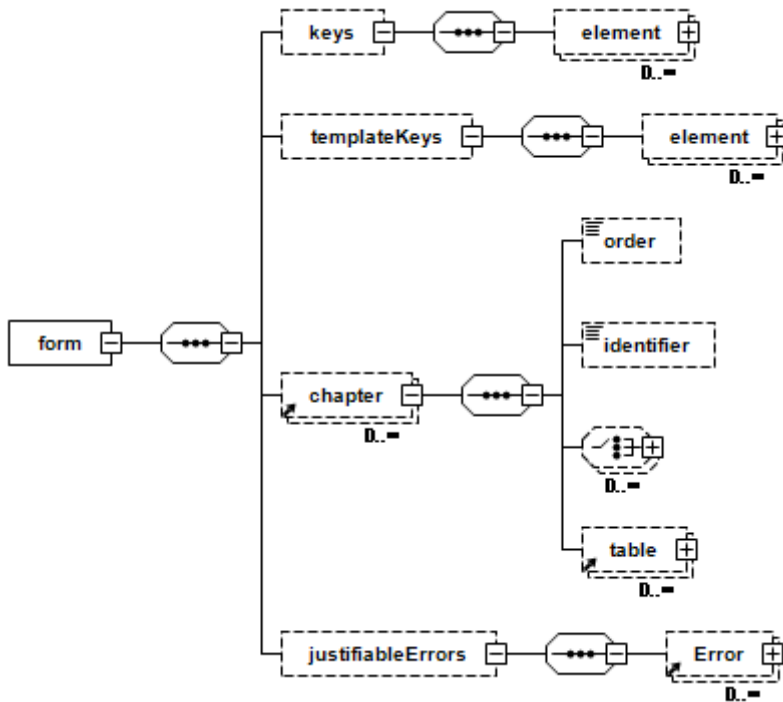
```

<xs:complexType name="data">
  <xs:annotation>
    <xs:documentation>
      <![CDATA[Form data item.]]>
    </xs:documentation>
  </xs:annotation>
  <xs:sequence>
    <xs:element minOccurs="0" name="identifier" type="xs:string"/>
    <xs:element minOccurs="0" name="value" type="xs:string"/>
  </xs:sequence>
  <xs:attribute name="s" type="form:sourceEnum">
    <xs:annotation>
      <xs:documentation>
        <![CDATA[Source of data.]]>
      </xs:documentation>
    </xs:annotation>
  </xs:attribute>
</xs:complexType>

```

# form - complex type

Form, the main element of data XML



Attribute name	Attribute type	Attribute description
keys	form:formAdaptedMap	Unique identifier of data XML, 'id' and 'verzio' (version)
templateKeys	form:formAdaptedMap	Keys set in form template
chapter	form:chapter	Chapter
justifiableErrors	form:Error	Justified errors

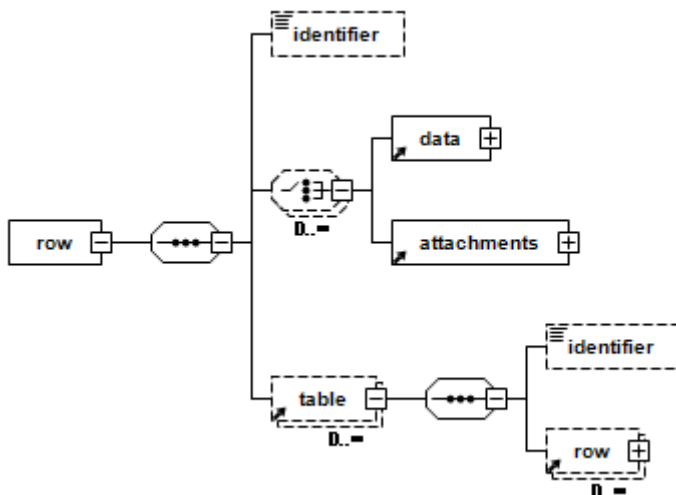
```

<xs:complexType name="form">
  <xs:annotation>
    <xs:documentation>
      <![CDATA[Form, the main element of data XML.]]>
    </xs:documentation>
  </xs:annotation>
  <xs:sequence>
    <xs:element minOccurs="0" name="keys" type="form:formAdaptedMap"/>
    <xs:element minOccurs="0" name="templateKeys"
type="form:formAdaptedMap"/>
    <xs:element maxOccurs="unbounded" minOccurs="0" ref="form:chapter"/>
    <xs:element minOccurs="0" name="justifiableErrors">
      <xs:complexType>
        <xs:sequence>
          <xs:element maxOccurs="unbounded" minOccurs="0"
ref="form:Error"/>
        </xs:sequence>
      </xs:complexType>
    </xs:element>
  </xs:sequence>
</xs:complexType>

```

## row - complex type

A row in a table



```

<xs:complexType name="row">
  <xs:annotation>
    <xs:documentation>

```

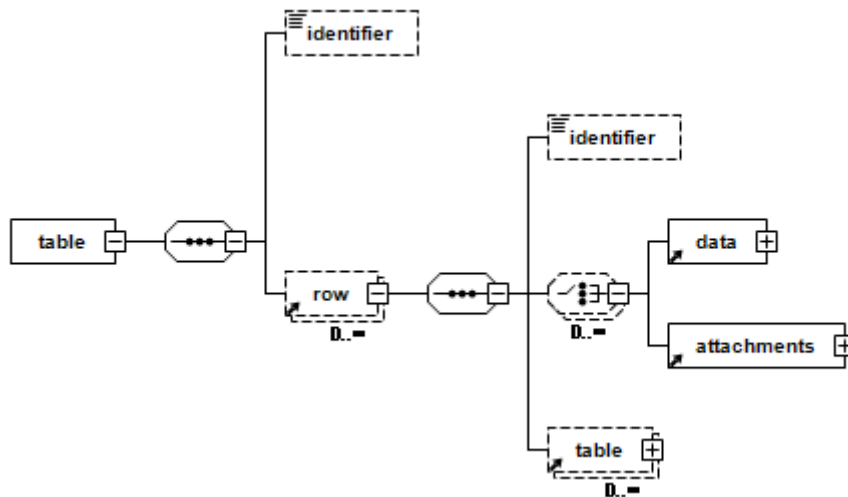
```

        <![CDATA[A row in a table.]]>
    </xs:documentation>
</xs:annotation>
<xs:sequence>
    <xs:element minOccurs="0" name="identifier" type="xs:string"/>
    <xs:choice maxOccurs="unbounded" minOccurs="0">
        <xs:element ref="form:data"/>
        <xs:element ref="form:attachments"/>
    </xs:choice>
    <xs:element maxOccurs="unbounded" minOccurs="0" ref="form:table"/>
</xs:sequence>
<xs:attribute name="panel" type="xs:string"/>
<xs:attribute name="s" type="form:sourceEnum"/>
</xs:complexType>

```

## table - complex type

Class containing data of a table in the form



### Attribute name Attribute type Attribute description

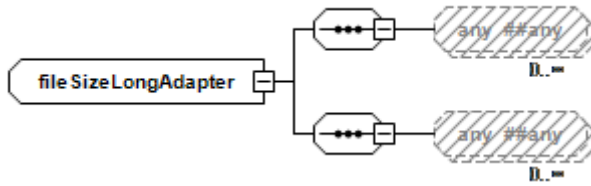
identifier xs:string Azonosító

```

<xs:complexType name="table">
    <xs:annotation>
        <xs:documentation>
            <![CDATA[Class containing data of a table in the form.]]>
        </xs:documentation>
    </xs:annotation>
    <xs:sequence>
        <xs:element minOccurs="0" name="identifier" type="xs:string"/>
        <xs:element maxOccurs="unbounded" minOccurs="0" ref="form:row"/>
    </xs:sequence>
</xs:complexType>

```

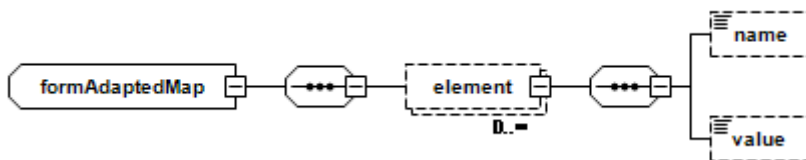
## fileSizeLongAdapter - complex type



```
<xs:complexType name="fileSizeLongAdapter">
  <xs:complexContent>
    <xs:extension base="xmlAdapter">
      <xs:sequence/>
    </xs:extension>
  </xs:complexContent>
</xs:complexType>
```

## formAdaptedMap - complex type

Adapter class for mapping a Map type into XML and reading it back



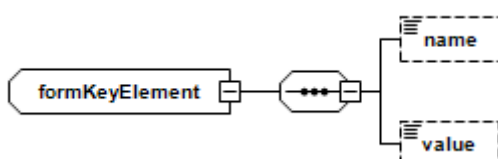
### Attribute name Attribute type Attribute description

Attribute name	Attribute type	Attribute description
name	xs:string	Name
value	xs:string	Value

```
<xs:complexType name="formAdaptedMap">
  <xs:annotation>
    <xs:documentation>
      <![CDATA[Adapter class for mapping a Map type into XML and reading
it back.]]>
    </xs:documentation>
  </xs:annotation>
  <xs:sequence>
    <xs:element maxOccurs="unbounded" minOccurs="0" name="element"
nillable="true" type="formKeyElement"/>
  </xs:sequence>
</xs:complexType>
```

## formKeyElement - complex type

Representation of key/value pairs





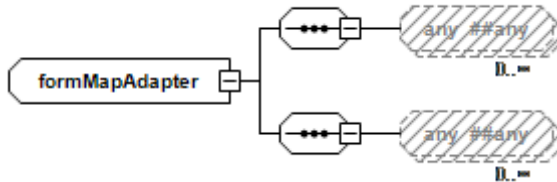
## Attribute name Attribute type Attribute description

name xs:string Name

value xs:string Value

```
<xs:complexType name="formKeyElement">
  <xs:annotation>
    <xs:documentation>
      <![CDATA[Representation of key/value pairs.]]>
    </xs:documentation>
  </xs:annotation>
  <xs:sequence>
    <xs:element minOccurs="0" name="name" type="xs:string"/>
    <xs:element minOccurs="0" name="value" type="xs:string"/>
  </xs:sequence>
</xs:complexType>
```

## formMapAdapter - complex type



```
<xs:complexType name="formMapAdapter">
  <xs:complexContent>
    <xs:extension base="xmlAdapter">
      <xs:sequence/>
    </xs:extension>
  </xs:complexContent>
</xs:complexType>
```

## sourceEnum - simple type

### Possible sources of data

```
<xs:simpleType name="sourceEnum">
  <xs:annotation>
    <xs:documentation>
      <![CDATA[Possible sources of data.]]>
    </xs:documentation>
  </xs:annotation>
  <xs:restriction base="xs:string">
    <xs:enumeration value="P"/>
  </xs:restriction>
</xs:simpleType>
```

